

## PRODUCT DATA SHEET

---

Part number 7219309

---

EAN 4015609150151

Manufacturer WALTHER-WERKE

WEEE-Reg.-Number: DE 22131895

### Product description

---

Waterproof CEPro Plug 16A 3P 9h with cable gland



Similar image

### Detailed product description

---

WALTHER CEPro Plug 16A 3P 400V 9h IP67

made from PA6 material

for maximum six control contacts

with cable gland

a compact solution for power and control

### Ordering Information

---

Order unit Piece

Customs number 85366990

Net weight 0,137 kg

Packing quantity (VPE) 10

Length of the packaging

Width of the packaging

Depth of the packaging

Gross weight(VPE) 1,37 kg

### Classification system

---

Classification system ETIM\_6.0

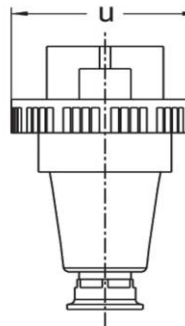
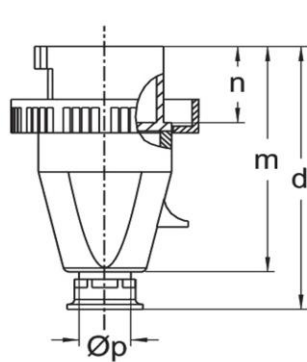
ETIM Class

EC000140

## Technical product data

IEC-amperage	16 A
Number of poles	3
Voltage acc. EN 60309-2	400 V (50+60 Hz) red
Clock hour position	9 h
Identification colour	Red
RAL-number	3000
Degree of protection (IP)	IP67
Connection system	Screwed terminal
Cable entry	Swivel
Angle of plug	Straight
Material	Plastic

## Dimension sheet



Amp.	16		32
Pole	3	5	5
d	126	139	166
m	110	114	135
n	37	37	46
u	72	88	103
$\varnothing p$	7,5-12,5	10-19,5	18-24,5